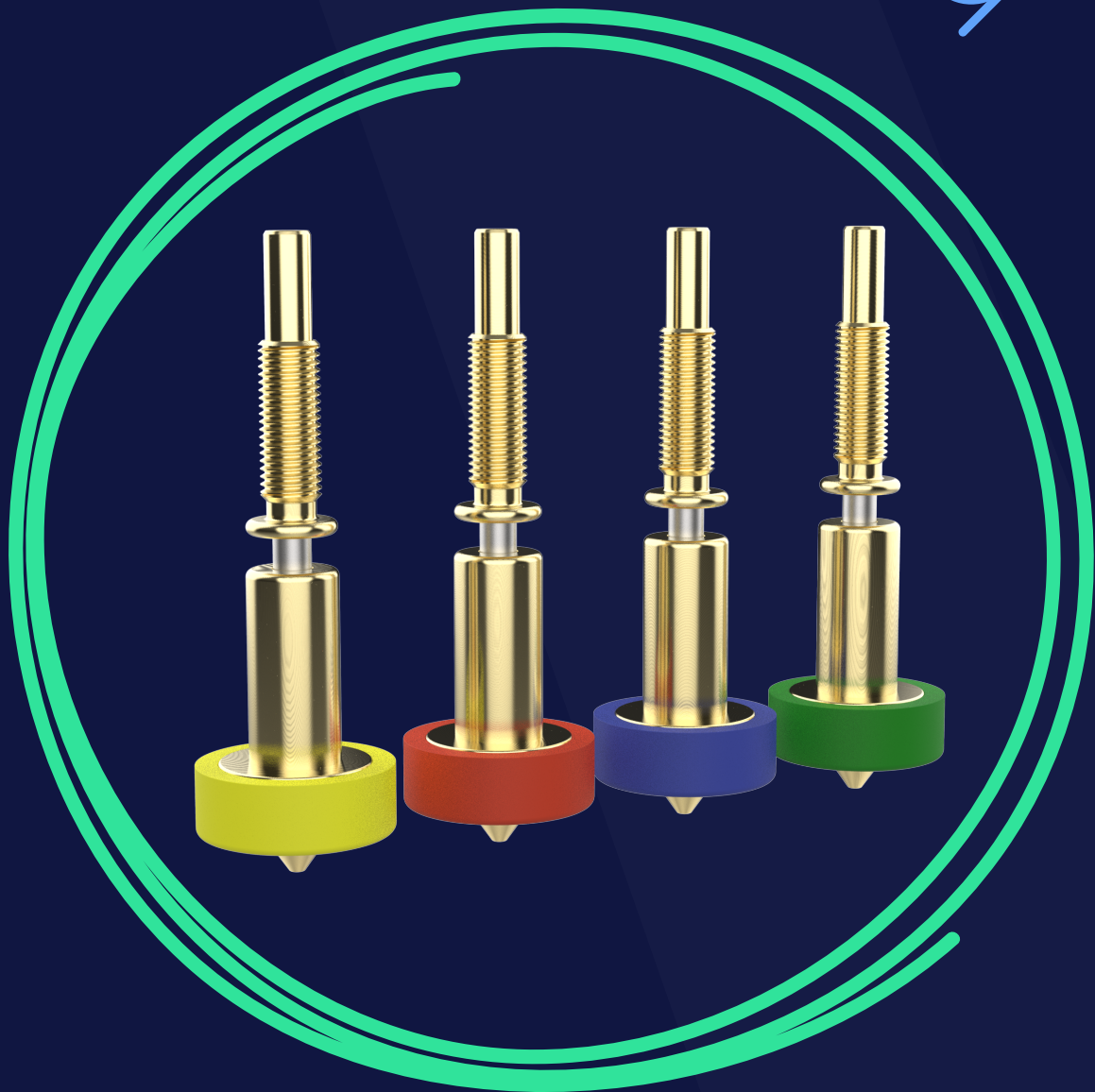


RapidChange™

Revo™ Nozzle

DATA SHEET



SUMMARY

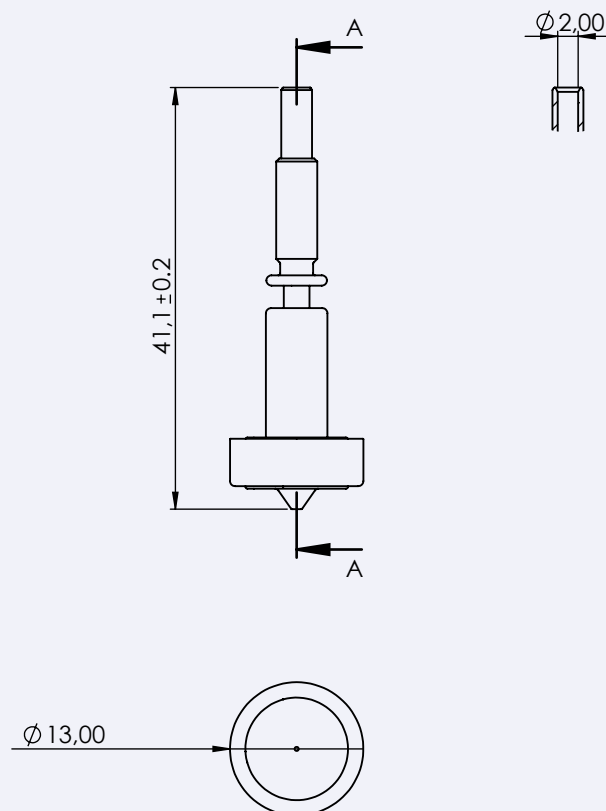
Compatible with: Revo Micro, Revo Six and Revo Hemera

Mass: 8g

Flow rate: *pending*

Filament diameter: 1.75mm

VOLUME AND DIMENSIONS

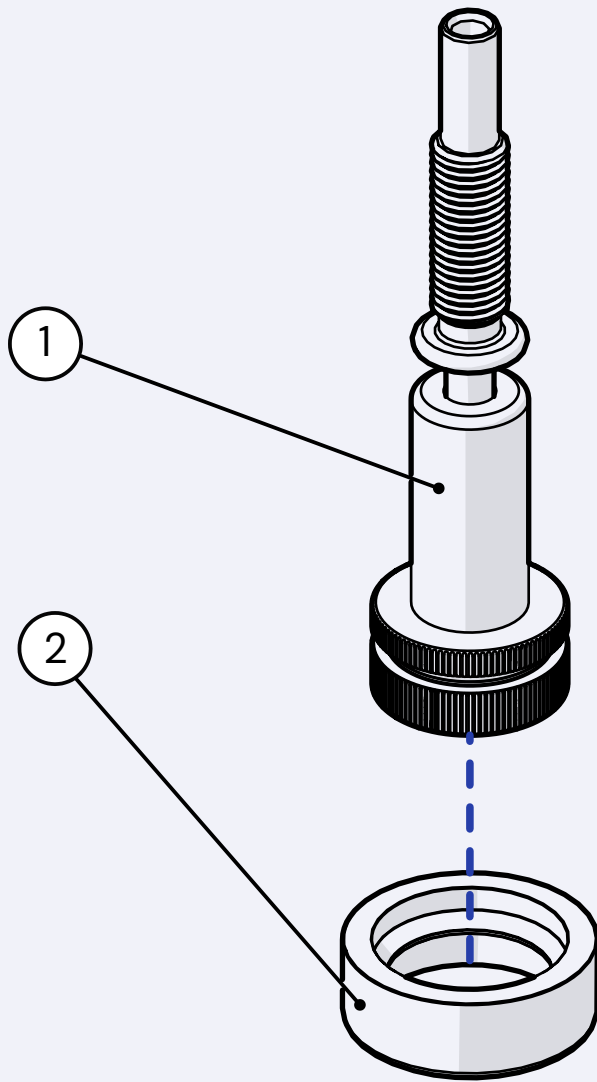


IDENTIFICATION

Nozzles are identified via sock colour as well as engraving on the nozzle

Diameter	Sock colour	Max temperature (°C)	Abrasion resistant
0.25	Yellow	300	No
0.40	Red	300	No
0.60	Blue	300	No
0.80	Green	300	No

EXPLODED VIEW



- 1. Revo Nozzle
- 2. Revo Nozzle sock

CHANGELOG

Edition 1: Published 17/09/21

- Approved: RY 17/09/21

Edition 2: Published 12/10/21

- Approved: RY 13/09/21
- Notes: Revo Thread renamed Revo Micro

Edition 3: Published 07/12/21

- Approved: DR 07/12/21
- Notes: Flow rate units changed to 10mm³/sec

Edition 4: Published 23/03/22

- Approved: RY 23/03/22
- Notes: Added total length tolerance, removed flow rate

